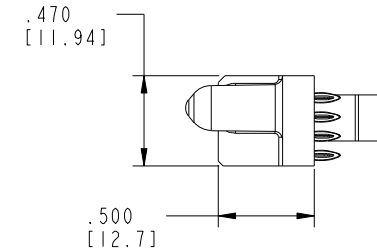
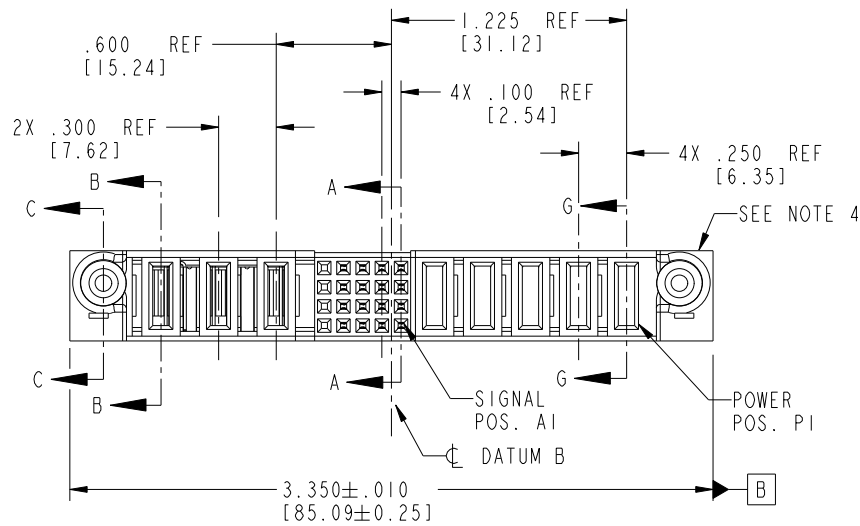
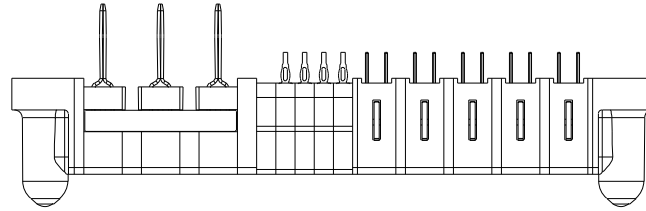


Tous droits strictement réservés. Reproduction ou communication a des tiers interdite sous quelque forme que ce soit sans autorisation écrite du propriétaire. Propriété de c FCI. Droits de reproduction FCI.

All rights strictly reserved. Reproduction or issue to third parties in any form whatever is not permitted without written authority from the proprietor. Property of FCI. Copyright FCI.



PRODUCT NO. 51927-002-- Note: ③	ROWS D C B A	POWER			SIG.					POWER						
		E2	P8	P7	P6	5	4	3	2	1	P5	P4	P3	P2	P1	E1
			PH	PH	PG	X	F	F	F	F	PF	PC	PC	PF	PF	
						X	F	F	F	F						
						X	F	F	F	F						
						X	F	F	F	F						



CODE	DIM "M" MATING LENGTH	CONTACT TYPE
F	N/A [N/A]	SIGNAL
PC	.042 [1.07]	POWER
PF	.092 [2.34]	POWER
PG	.042 [1.07]	POWER
PH	.092 [2.34]	POWER
X	OMITTED	

mat'l code				SEE NOTE 2		tolerances unless otherwise specified		CUSTOMER	
lir	ecn no.	dr	date	linear	.XX±.01/0.X±0.3	COPY		www.fciconnect.com title 5P + 20S + 3ACP VERT P/F RCPT CABLE PORT	
A	V03-0596	MEM	5/27/03		.XXX±.005/0.XX±0.13	projection			
B	V03-0629	TAB	6/04/03	angles	.XXX±.0020/0.XXX±0.051			product family PwrBlade code 213	
C	DG05-0123	SJ	05/25/05		0°±2°	INCH/MM		size dwg no 51927-002 sheet 1 of 4	
D	DG05-0175	SJ	06/20/05	dr	M. MOSTOLLER 5/27/03	scale 1:1			
E	DG06-0375	JULIA	09/06/06	engr	M. MOSTOLLER 5/27/03				
				chr	H. BREWBAKER 5/27/03				
				appd	M. MOSTOLLER 5/27/03				
sheet index	revision sheet	E	E	E	E				
		1	2	3	4				

sheet index		revision sheet	E	E	E	E				
			1	2	3	4				

1 | 2

Pro/E

PDM: Rev: E

STAT: Released

Printed: Aug 15, 2007

3 |

4

A

A

B

B

cage code 22556

4

Tous droits strictement réservés. Reproduction ou communication a des tiers interdite sous quelque forme que ce soit sans autorisation écrite du propriétaire. Propriété de c FCI. Droits de reproduction FCI.

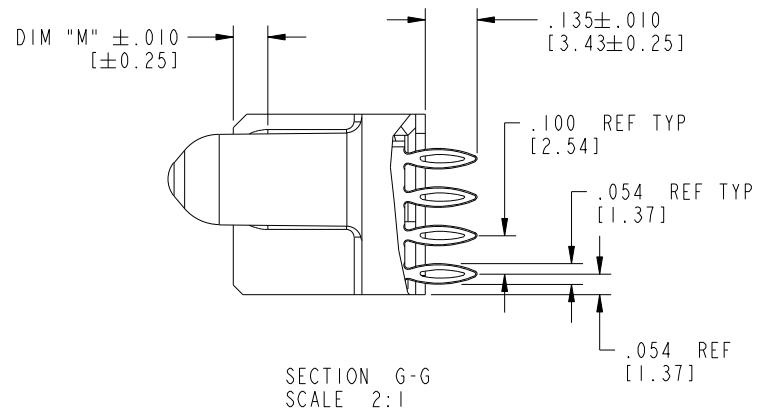
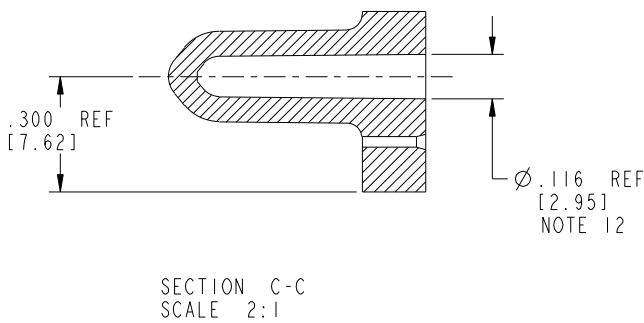
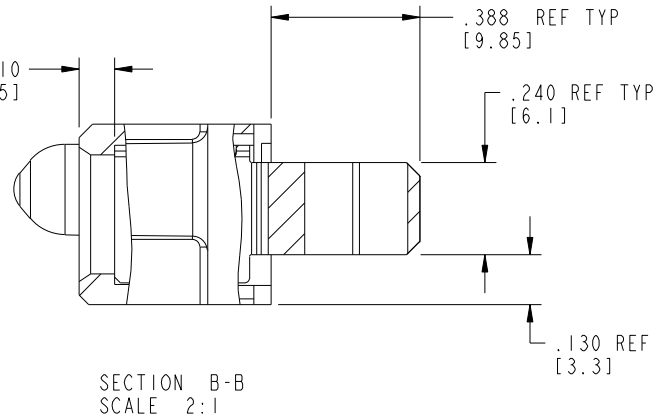
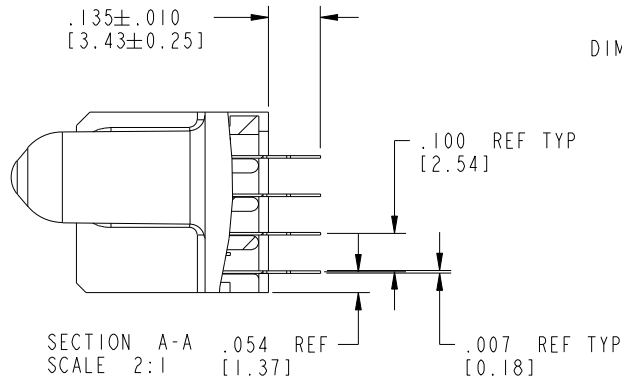
All rights strictly reserved. Reproduction or issue to third parties in any form whatever is not permitted without written authority from the proprietor. Property of FCI. Copyright FCI.



PRODUCT NUMBER

51927-002--

Note: ③



mat'l code		SEE NOTE 2		tolerances unless otherwise specified		CUSTOMER		FCI	
lbr	ecn no.	dr	date	linear	.XX±.01/0.X±0.3	COPY		www.fciconnect.com	
E				projection	.XXY±.005/0.XX±0.13			title 5P + 20S + 3ACP	
				angles	.XXX±.0020/0.XXX±0.051			VERT P/F RCPT CABLE PORT	
				dr	0°±2°	INCH/MM		product family PwrBlade code 213	
				enr	M. MOSTOLLER 5/27/03	scale 1:1		size dwg no 51927-002 sheet 2 of 4	
				chr	M. MOSTOLLER 5/27/03				
				appd	H. BREWBAKER 5/27/03				
				appd	M. MOSTOLLER 5/27/03				
sheet index	revision sheet								

Pro/E

PDM: Rev: E

STATUS: Released

Printed: Aug 15, 2007

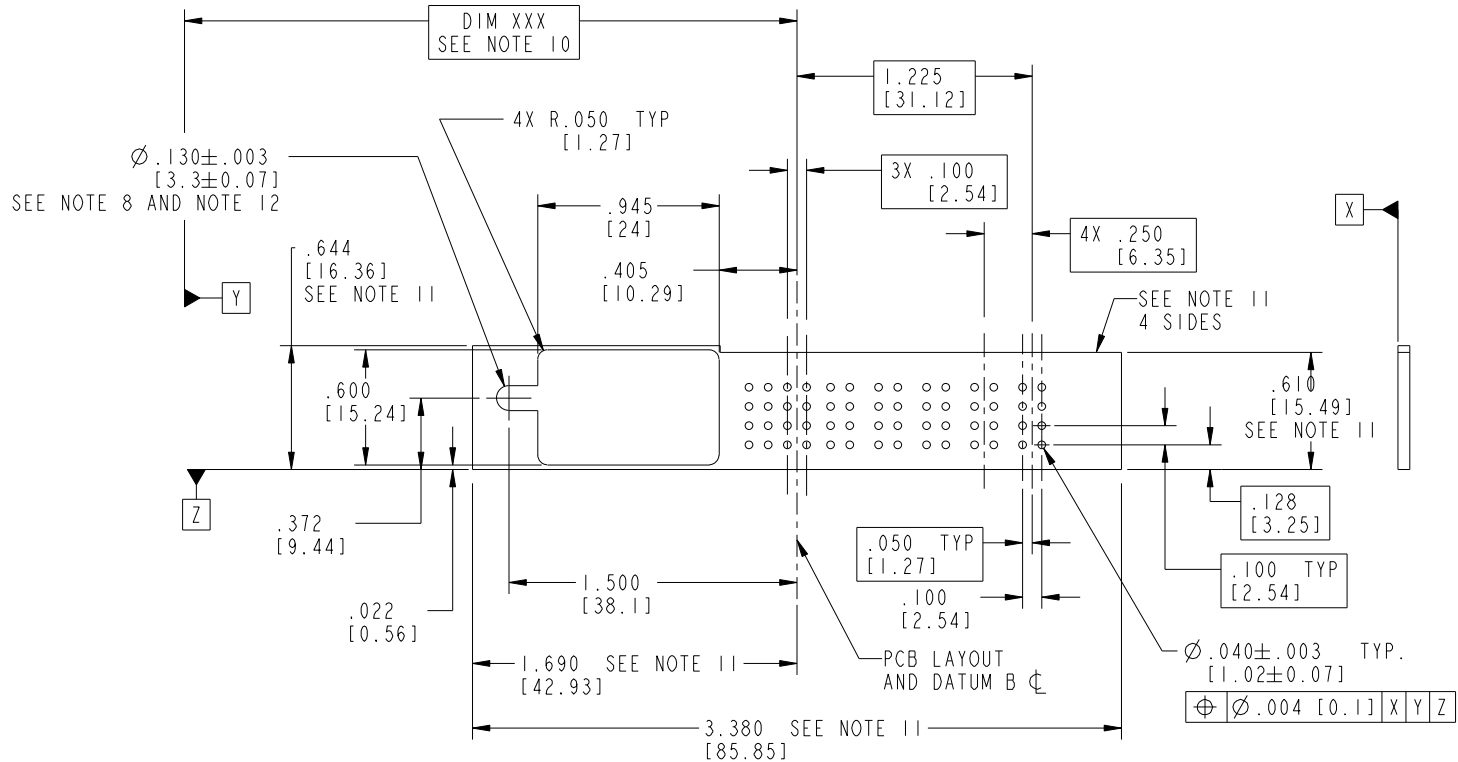
Tous droits strictement réservés. Reproduction ou communication a des tiers interdite sous quelque forme que ce soit sans autorisation écrite du propriétaire. Propriété de c FCI. Droits de reproduction FCI.

All rights strictly reserved. Reproduction or issue to third parties in any form whatever is not permitted without written authority from the proprietor. Property of FCI. Copyright FCI.



PRODUCT NUMBER

51927-002--
Note: ③



mat'l code		SEE NOTE 2		tolerances unless otherwise specified		CUSTOMER		 www.fciconnect.com	
lfr	ecn no.	dr	date	linear	.XX±.01/0.X±0.3	projection	title 5P + 20S + 3ACP		
E				angles	.XXY±.005/0.XX±0.13		VERT P/F RCPT CABLE PORT		
					.XXX±.0020/0.XXX±0.051		product family PwrBlade		code
				dr	M. MOSTOLLER 5/27/03	INCH/MM	size		213
				engr	M. MOSTOLLER 5/27/03	scale	51927-002		sheet
				chr	H. BREWBAKER 5/27/03	1:1	A		3 of 4
				appd	M. MOSTOLLER 5/27/03				
sheet index	revision sheet								

Pro/E

PDM: Rev: E

STATUS: Released

Printed: Aug 15, 2007

cage code 28556

PRODUCT NUMBER
 51927-002--
 Note: ③

NOTES:

1. DIMENSIONS AND TOLERANCES ARE IN ACCORDANCE WITH ASME Y14.5M, 1994 UNLESS OTHERWISE SPECIFIED.

CONNECTOR NOTES:

HOUSING MATERIAL: UL 94 V-0 GLASS FILLED
 HIGH-TEMP THERMOPLASTIC
 POWER CONTACT MATERIAL: COPPER ALLOY
 SIGNAL PIN MATERIAL: COPPER ALLOY

- ③ 51927-002;51927-002LF;51927-002GLF PLATING SPEC. SEE PRINT:10064183
- 4. MANUFACTURER'S NAME, P/N, AND DATE CODE TO APPEAR ON THIS SURFACE.
- 5. PRODUCT SPECIFICATION GS-12-149.
APPLICATION SPECIFICATION BUS-20-067.
- 6. PACKAGED IN TRAYS.

PCB NOTES:

- 7. ALL HOLE DIAMETERS ARE FINISHED HOLE SIZE.
- 8. MOUNTING HOLES, WHERE APPLICABLE, ARE UNPLATED.
- 9. $\varnothing .0453 \pm .0010$ [1.151 \pm 0.025] DRILLED HOLES PLATED WITH .0003 [0.008] MIN SnPb or Sn OVER .001 [0.03] TO .003 [0.08] Cu PLATING TO ACHIEVE $\varnothing .040 \pm .003$ [1.02 \pm .07] HOLE.
- 10. "DIM XXX" TO BE DETERMINED BY THE CUSTOMER.
- 11. CONNECTOR KEEP-OUT ZONE.
- 12. RECOMMENDED RETENTION TO PCB: $\varnothing .13$ [3.3] THRU HOLE FOR #5 SOCKET HEAD CAP SCREW
 MAX HEAD $\varnothing .205$ [5.21] RECOMMENDED SCREW LENGTH .472[12.0] + PCB THICKNESS. RECOMMENDED SCREW SEATING TO PCB TORQUE: 2-5 lbf-IN [2300-5760 gf-cm].

Tous droits strictement réservés. Reproduction ou communication a des tiers interdite sous quelque forme que ce soit sans autorisation écrite du propriétaire. Propriete de c FCI. Droits de reproduction FCI.



All rights strictly reserved. Reproduction or issue to third parties in any form whatever is not permitted without written authority from the proprietor. Property of FCI. Copyright FCI.

mat'l code				SEE NOTE 2		tolerances unless otherwise specified		CUSTOMER		 www.fciconnect.com	
lir	ecn no.	dr	date	linear	.XX±.01/0.X±0.3		COPY		title 5P + 20S + 3ACP VERT P/F RCPT CABLE PORT		
E					.XXX±.005/0.XX±0.13		projection				
				angles	.XXX±.0020/0.XXX±0.051		 INCH/MM		size		213
					$0^{\circ} \pm 2^{\circ}$				scale		A 51927-002
				dr	M. MOSTOLLER	5/27/03	1:1		4 of 4		
				engr	M. MOSTOLLER	5/27/03					
				chr	H. BREWBAKER	5/27/03					
				appd	M. MOSTOLLER	5/27/03					
sheet index	revision sheet										